

COLUMBIA FORGE AND MACHINE WORKS

MARINE CLOSURE HARDWARE PARTS CATALOGUE

www.columbiaforge.com

8524 N. Crawford Street Portland, OR 97203

Telephone: (503) 286-3621

Fax: (503) 286-5258



COLUMBIA FORGE & MACHINE WORKS, INC.

TABLE OF CONTENTS

PART NO.	DESCRIPTION	PAGE
B-105	BEARING	1
B-119	BEARING	1
BP-163	BEARING PLATE	1
BRF-022	BRACE, FEMALE	2
BRM-022	BRACE, MALE	2
BP-943	BRACE, PIN	2
CD-001	COMMERCIAL DOG	3
CDH-001	COMMERCIAL DOG HANDLE	3
B-067	BUSHING	4
BF-067	BUSHING, FLANGED	4
BU-105	BUSHING	4
B-119	BUSHING	5
BH-163	BUSHING (IN HALVES)	5
BC-163	CONNECTING ROD BUSHING	5
E-022	EYE BOLT	6
TB-072	TOGGLE BOLT	6
TE-106	TOGGLE EYE BOLT	6
BR-071	BRACE, MALE END	7
C-054	COLLAR	7
C-055	COLLAR, SPINDLE	7
D-051	DOG	8
D-067	DOG	9
DH-067	DOG HANDLE	9
DST-119	DOG (STRAIGHT)	10
DA-119	DOG ANGLE	10
DST-105	DOG (STRAIGHT)	10
DA-105	DOG (ANGLE)	10
D-161	DOG	11
D-163	DOG	12
DA-163	DOG (ANGLE)	12
DST-163	DOG (STRAIGHT)	12
DB-071	DOG BOLT, NUT, COLLAR, & COLLAR PIN	13
DL-071-R.H.	DOG LUG (RIGHT HAND)	13
DL-071-L.H.	DOG LUG (LEFT HAND)	13
DP-071	DOG PAD	14
DR-055	DOG REST	15
DR-0944	DOG REST	15
DSL-067	DOG SLEEVE	16
DSL-105-C	DOG SLEEVE (CURVED)	16
DSL-105-S	DOG SLEEVE (STRAIGHT)	16
DSLS-119	DOG SLEEVE (SQUARE)	17
DSL-119	DOG SLEEVE (CURVED)	17
DSL-944	DOG SLEEVE	17
SPN-022	SPINDLE	18
DSP-051	DOG SPINDLE	19
DSP-055	DOG SPINDLE	19
DSP-105	DOG SPINDLE	20
DSP-119	DOG SPINDLE	21
SPN-161	SPINDLE	21



COLUMBIA FORGE & MACHINE WORKS, INC.

TABLE OF CONTENTS (CONT)

DSP-163	DOG SPINDLE	22
SPN-944	SPINDLE	22
DW-067	DOG WEDGE	23
WS-105	WEDGE (STRAIGHT)	23
WC-119	WEDGE (CURVED)	24
DW-163	DOG WEDGE	24
G-022	GLAND	25
HW-022	HANDWHEEL	25
HW-055	HANDWHEEL	26
HH-943	HUB HANDWHEEL	27
HW-944	HANDWHEEL	28
HS-053	HAND LEVER SHAFT	29
HS-406	HAND LEVER SHAFT	30
HB-054A	HINGE BLADE	31
HB-054B	HINGE BLADE	32
HB-071	HINGE BLADE	32
N-071	NUT	32
OO-053	OPERATING HANDLE (OUTSIDE)	32
OI-053	OPERATING HANDLE (INSIDE)	33
OO-406	OPERATING HANDLE (OUTSIDE)	34
OI-406	OPERATING HANDLE (INSIDE)	34
PP-067	PACKING PLUNGER	35
PP-105	PACKING PLUNGER	35
PP-119	PACKING PLUNGER	35
PP-163	PACKING PLUNGER	35
PP-944	PLUNGER	36
P-054	PIN, ADJUSTING YOKE	36
HP-054	PIN, HINGE	36
HP-071	PIN, HINGE	36
CP-944	PIN, CLEVIS	36
AS-023	ADJUSTING SCREW	37
SS-054	SET SCREW	37
MS-055	MACHINE SCREW (FLAT HEAD)	37
SS-067	SET SCREW	38
SS-163	SET SCREW	38
SPC-105	SPACER	38
SPC-119	SPACER	38
SB-055	STUD, BRACE	38
SPI-022	SPIDER	39
SPI-055	SPIDER	40
SPI-944A	SPIDER	40
SPI-944B	SPIDER	41



COLUMBIA FORGE & MACHINE WORKS, INC.

APPLICATION REFERENCE GUIDE

BUREAU OF SHIPS DRAWING #1626022

W.T.Q.A. HATCHES SPR. BAL. - 24x30 ENG. & BOILER RM. DESTROYERS - DET'S

BRF-022	BRACE FEMALE.....	PAGE 2
BRM-022	BRACE MALE.....	PAGE 2
E-022	EYE BOLT.....	PAGE 6
SPN-022	SPINDLE.....	PAGE 18
G-022	GLAND.....	PAGE 25
HW-022	HANDWHEEL.....	PAGE 25
SPI-022	SPIDER.....	PAGE 39

BUREAU OF SHIPS DRAWING #1626023

W.T.Q.A. HATCHES SPR. BAL. - 24x30 ENG. & BOILER RM DESTROYERS - DET'S

AS-023	ADJUSTING SCREW.....	PAGE 37
--------	----------------------	---------

BUREAU OF SHIPS DRAWING #1400051

DOORS W.T.Q.A. (OPERATING MECH. IN FRAME)

D-051	DOG.....	PAGE 8
DSP-051	DOG SPINDLE.....	PAGE 19

BUREAU OF SHIPS DRAWING #1400053

DOORS W.T.Q.A. (OPERATING MECH. IN FRAME)

HS-053	HAND LEVER SHAFT.....	PAGE 29
OO-053	OPERATING HANDLE (OUTSIDE).....	PAGE 33
OI-053	OPERATING HANDLE (INSIDE).....	PAGE 33

BUREAU OF SHIPS DRAWING #1400054

DOORS WTQA, WT, AT, & MT.

HB-054A	HINGE BLADE.....	PAGE 31
HB-054B	HINGE BLADE.....	PAGE 32
P-054	PIN, ADJUSTING YOKE.....	PAGE 36
SS-054	SET SCREW.....	PAGE 37

BUREAU OF SHIPS DRAWING #1623055

SCUTTLE WTQA 18", 21", & 25" DIA. FLUSH 3 & 4 DOG

C-055	COLLAR, SPINDLE.....	PAGE 7
DR-055	DOG REST.....	PAGE 15
DSP-055	DOG SPINDLE.....	PAGE 19
HW-055	HANDWHEEL.....	PAGE 26
MS-055	MACHINE SCREW (FLAT HEAD).....	PAGE 37
SPL-055	SPIDER.....	PAGE 40



COLUMBIA FORGE & MACHINE WORKS, INC.

BUREAU OF SHIPS DRAWING #1400067
DOGS W.T. INDIVIDUALLY DOGGED

B-067	BUSHING	PAGE 4
BF-067	BUSHING (FLANGED)	PAGE 4
D-067	DOG	PAGE 9
DH-067	DOG HANDLE	PAGE 9
DSL-067	DOG SLEEVE	PAGE 16
DW-067	DOG WEDGE	PAGE 23
PP-067	PACKING PLUNGER	PAGE 35
SS-067	SET SCREW	PAGE 38

BUREAU OF SHIPS DRAWING #1624071
HATCH W.T. RAISED INDIVIDUALLY DOGGED

BR-071	BRACE MALE END	PAGE 7
DB-071	DOG BOLT, NUT, COLLAR, & COLLARPIN	PAGE 13
DL-071-R.H.	DOG LUG (RIGHT HAND)	PAGE 13
DL-071-L.H.	DOG LUG (LEFT HAND)	PAGE 13
DP-071	DOG PAD	PAGE 14
HB-071	HINGE BLADE	PAGE 32
HP-071	HINGE PIN	PAGE 36
N-071	NUT	PAGE 32
HP-071	HINGE PIN	PAGE 36

BUREAU OF SHIPS DRAWING #1624072
HATCH W.T. RAISED INDIVIDUALLY DOGGED.

TB-072	TOGGLE BOLT	PAGE 6
--------	-------------------	--------

BUREAU OF SHIPS DRAWING #1624105
HATCH W.T. FLUSH INDIVIDUALLY DOGGED

B-105	BEARING	PAGE 1
BU-105	BUSHING	PAGE 4
DST-105	DOG (STRAIGHT)	PAGE 10
DA-105	DOG (ANGLE)	PAGE 10
DSL-105-C	DOG SLEEVE (CURVED)	PAGE 16
DSL-105-S	DOG SLEEVE (STRAIGHT)	PAGE 16
DSP-105	DOG SPINDLE	PAGE 20
WS-105	WEDGE (STRAIGHT)	PAGE 23
PP-105	PACKING PLUNGER	PAGE 35
SPL-105	SPACER	PAGE 38

BUREAU OF SHIPS DRAWING #1624106
HATCH WT FLUSH INDIVIDUALLY DOGGED

TE-106	TOGGLE EYE BOLT	PAGE 6
--------	-----------------------	--------



COLUMBIA FORGE & MACHINE WORKS, INC.

BUREAU OF SHIPS DRAWING #162419 HATCH WT FLUSH INDIVIDUALLY DOGGED

B-119	BEARING	PAGE 1
BU-119	BUSHING	PAGE 5
DST-119	DOG (STRAIGHT)	PAGE 10
DA-119	DOG (ANGLE)	PAGE 10
DSLS-119	DOG SLEEVE (SQUARE)	PAGE 17
DSL-119	DOG SLEEVE (CURVED)	PAGE 17
DSP-119	DOG SPINDLE	PAGE 21
WC-119	WEDGE (CURVED)	PAGE 24
PP-119	PACKING PLUNGER	PAGE 35
SPL-119	SPACER	PAGE 38

BUREAU OF SHIPS DRAWING #1630161 DOORS W.T. (30 LB STS) GANGE OPERATED DOG & HANDLE

D-161	DOG	PAGE 11
SPN-161	SPINDLE	PAGE 21

BUREAU OF SHIPS DRAWING #1630163 DOORS W.T. (30 LB STS) INDIVIDUALLY DOGGED

BP-163	BEARING PLATE	PAGE 1
BH-163	BEARING (IN HALVES)	PAGE 5
BC-163	CONNECTING ROD BUSHING	PAGE 5
D-163	DOG	PAGE 12
DA-163	DOG (ANGLE)	PAGE 12
DST-163	DOG (STRAIGHT)	PAGE 12
DSP-163	DOG SPINDLE	PAGE 22
DW-163	DOG WEDGE	PAGE 24
PP-163	PACKING PLUNGER	PAGE 35
SS-163	SET SCREW	PAGE 38

BUREAU OF SHIPS DRAWING #1623406 DOORS W.T.Q.A. (OPERATING HANDLE IN FRAME)

HS-406	HAND LEVER SHAFT	PAGE 30
OO-406	OPERATING HANDLE (OUTSIDE)	PAGE 34
OI-406	OPERATING HANDLE (OUTSIDE)	PAGE 34

BUREAU OF SHIPS DRAWING #1623943 SCUTTLE, WTQA 18", 21" & 25" DIA. RAISED - 3 & 4 DOG

BP-943	BRACE PIN	PAGE 2
HH-943	HUB HANDWHEEL	PAGE 27



COLUMBIA FORGE & MACHINE WORKS, INC.

BUREAU OF SHIPS DRAWING #1623944
SCUTTLE, WTQA 18", 21" & 25" DIA. RAISED - 3 & 4 DOG

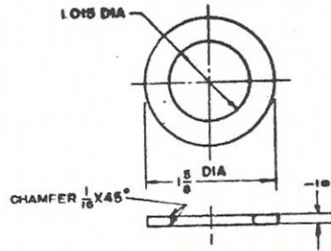
DR-944	DOG REST	PAGE 15
DST-944	DOG SLEEVE	PAGE 17
SPN-944	SPINDLE	PAGE 22
HW-944	HANDWHEEL	PAGE 28
CP-944	CLEVIS PIN	PAGE 36
PL-944	PLUNGER	PAGE 36
SPL-944A	SPIDER	PAGE 40
SPL-944B	SPIDER	PAGE 41



COLUMBIA FORGE & MACHINE WORKS, INC.

PART NO.	DESCRIPTION	APPLICATION	MATERIAL
B-105	BEARING	HATCH WT FLUSH INDIVIDUALLY DOGGED	BRASS - OILITE

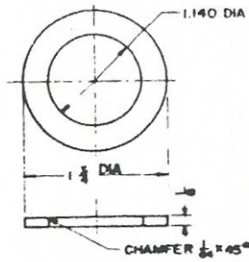
REF. DWG. #1624105



59 BEARING

PART NO.	DESCRIPTION	APPLICATION	MATERIAL
B-119	BEARING	HATCH WT FLUSH INDIVIDUALLY DOGGED	BRASS - OILITE

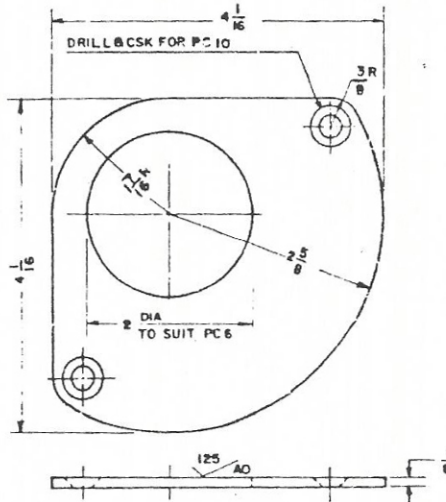
REF. DWG. #1624119



59 BEARING

PART NO.	DESCRIPTION	APPLICATION	MATERIAL
BP-163	BEARING PLATE	DOORS W.T. (30 LB. STS) INDIVIDUALLY DOGGED	BRASS

REF. DWG. #1630163



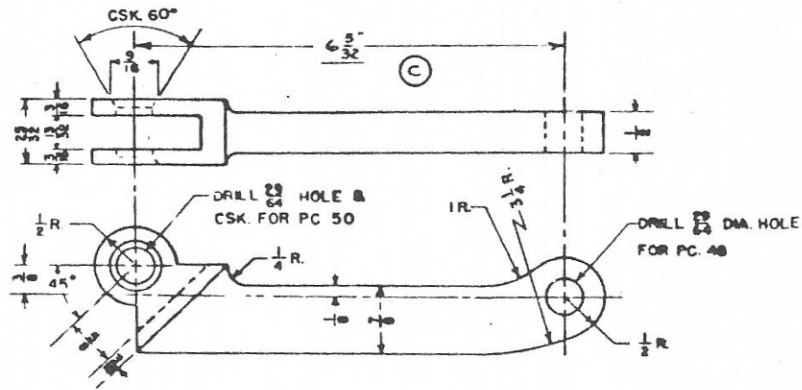
BEARING PLATE (B)
SCALE: 12" = 1'-0"



COLUMBIA FORGE & MACHINE WORKS, INC.

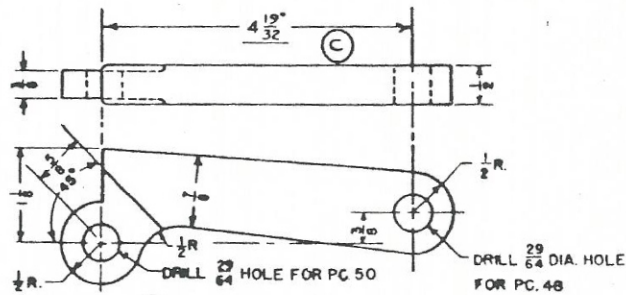
PART NO.	DESCRIPTION	APPLICATION	MATERIAL
BRF-022	BRACE, FEMALE	W.T.Q.A. HATCHES	S.S. 303 OR M.S. 1020

REF. DWG. #1626022



PART NO.	DESCRIPTION	APPLICATION	MATERIAL
BRM-022	BRACE, MALE	W.T.Q.A. HATCHES	S.S. 303 OR M.S. 1020

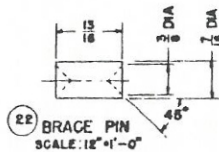
REF. DWG. #1626022



51 BRACE, MALE
SCALE 12" = 1'-0"

PART NO.	DESCRIPTION	APPLICATION	MATERIAL
BP-943	BRACE PIN	SCUTTLE, WTQA 18", 21" & 25" DIA. RAISED 3 & 4 DOG	NAVEL BRASS

REF. DWG. #1623944



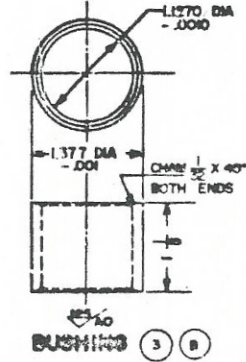
22 BRACE PIN
SCALE 12" = 1'-0"



COLUMBIA FORGE & MACHINE WORKS, INC.

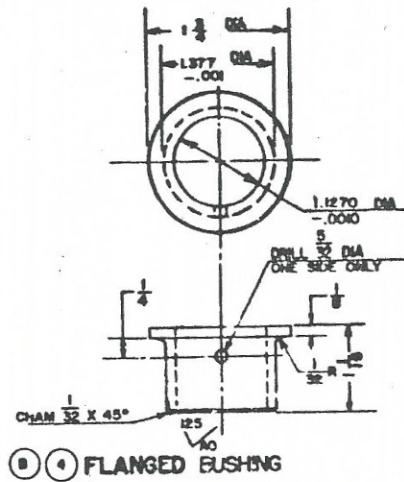
PART NO.	DESCRIPTION	APPLICATION	MATERIAL
B-O67	BUSHING	DOORS W.T. INDIVIDUALLY DOGGED	OIL IMPREGNATED BRZ

REF. DWG. #1400067



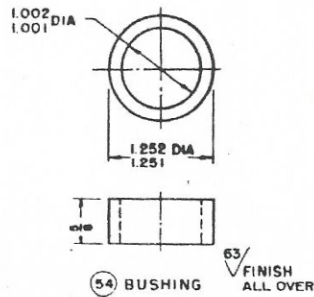
PART NO.	DESCRIPTION	APPLICATION	MATERIAL
BF-O67	BUSHING (FLANGED)	DOORS W.T. INDIVIDUALLY DOGGED	OIL IMPREGNATED BRZ

REF. DWG. #1400067



PART NO.	DESCRIPTION	APPLICATION	MATERIAL
BU-105	BUSHING	HATCH WT FLUSH INDIVIDUALLY DOGGED	BRZ

REF. DWG. #1624105

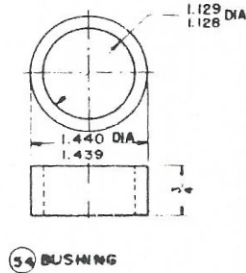




COLUMBIA FORGE & MACHINE WORKS, INC.

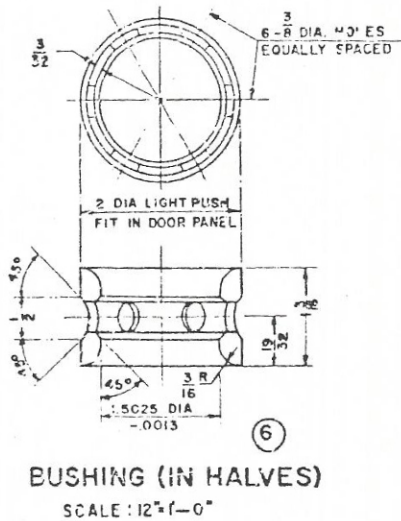
PART NO.	DESCRIPTION	APPLICATION	MATERIAL
B-119	BUSHING	HATCH WT FLUSH INDIVIDUALLY DOGGED	BRASS

REF. DWG. #1624119



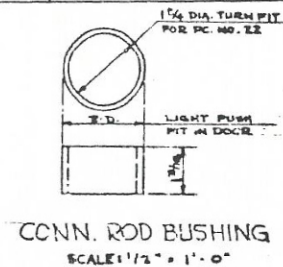
PART NO.	DESCRIPTION	APPLICATION	MATERIAL
BH-163	BUSHING (IN HALVES)	DOORS W.T. (30 LB. STS) INDIVIDUALLY DOGGED	BRZ MN

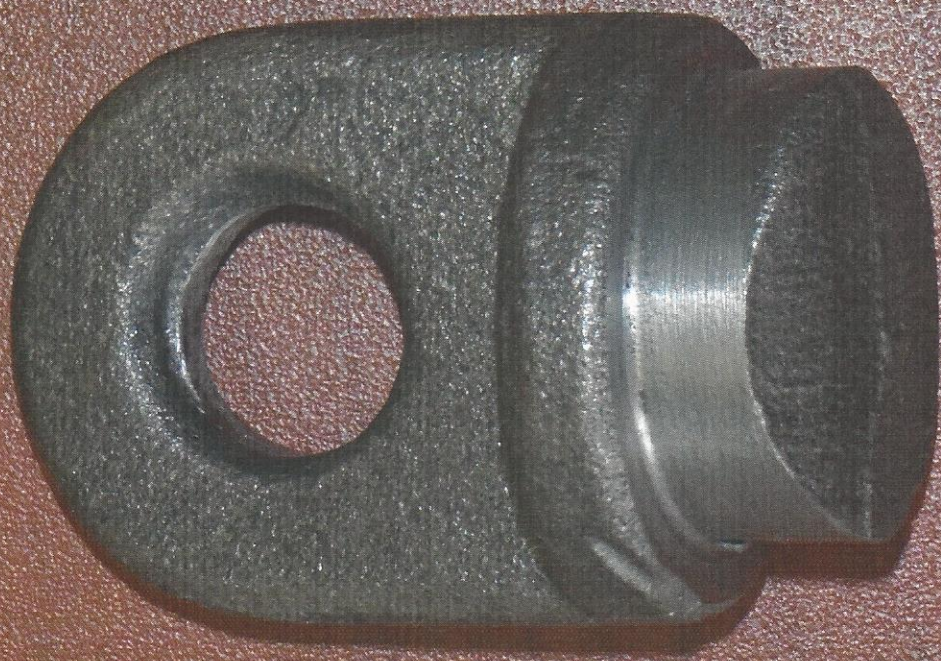
REF. DWG. #1630163



PART NO.	DESCRIPTION	APPLICATION	MATERIAL
BC-163	CONN. ROD BUSHING	COORS W.T. (30 LB. STS) INDIVIDUALLY DOGGED	BRZ MN

REF. DWG. #1630163



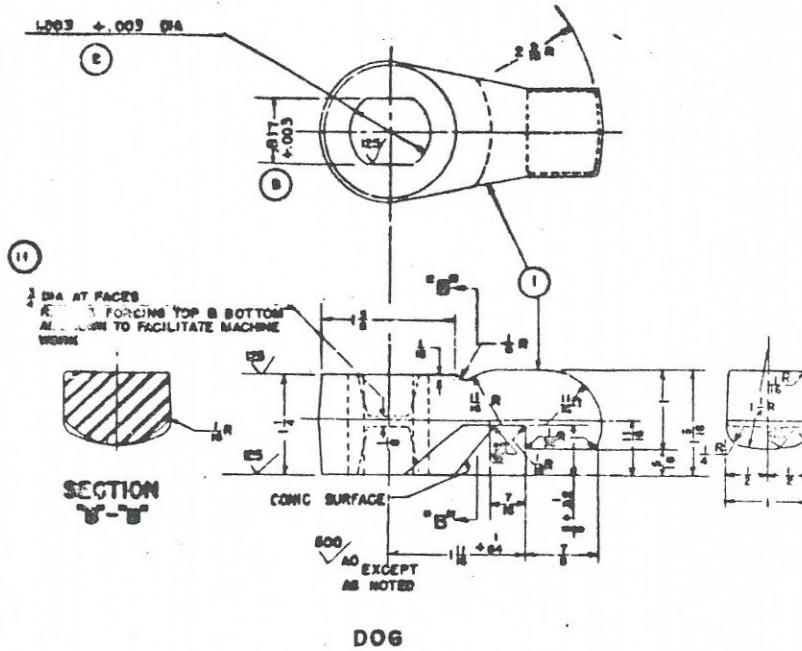






COLUMBIA FORGE & MACHINE WORKS, INC.

PART NO.	DESCRIPTION	APPLICATION	MATERIAL
D-051	DOG	DOORS W.T.Q.A. (OPERATING MECH. IN FRAME) MEDIUM STEEL & CRES	M.S. 1020 S.S. 303











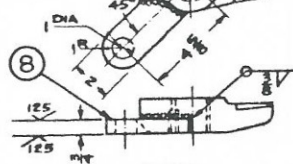
COLUMBIA FORGE & MACHINE WORKS, INC.

PART NO.	DESCRIPTION	APPLICATION	MATERIAL
D-161	DOG	DOORS W.T. (30 LB STS) GANG OPERATED DOG & HANDLE	STEEL 8615

REF. DWG. #1630161

SIMILAR TO PC NO 1 (WITHOUT HANDLE)
ON REF PLAN NO 2 EXCEPT AS SHOWN
DRILL & TAP
FOR PC NO 19
AT ASSY

DRILL & TAP TO
SUIT PC 9 (SEE
THD DETAIL)



DOG

- (4) R.H. DOG SHOWN FOR L.H.G.O. DOOR (B)
 - (5) L.H. DOG TO OPPOSITE HAND
- SCALE: 3/8" = 1" - 0"





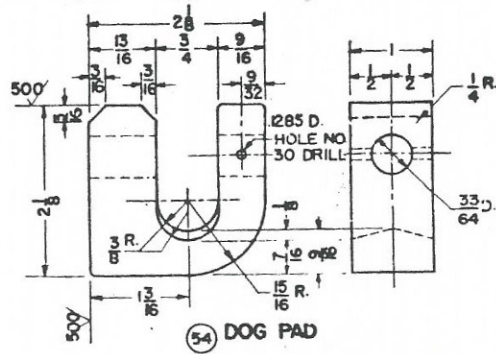


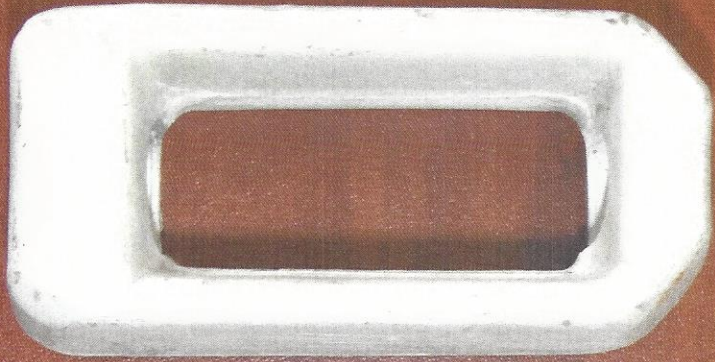


COLUMBIA FORGE & MACHINE WORKS, INC.

PART NO.	DESCRIPTION	APPLICATION	MATERIAL
DP-071	DOG PAD	HATCH W.T. RAISED INDIVIDUALLY	S.S. 303 304 M.S. 1020

REF. DWG. #1624071



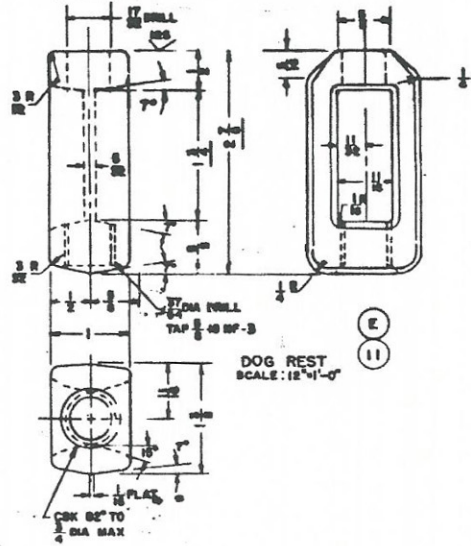




COLUMBIA FORGE & MACHINE WORKS, INC.

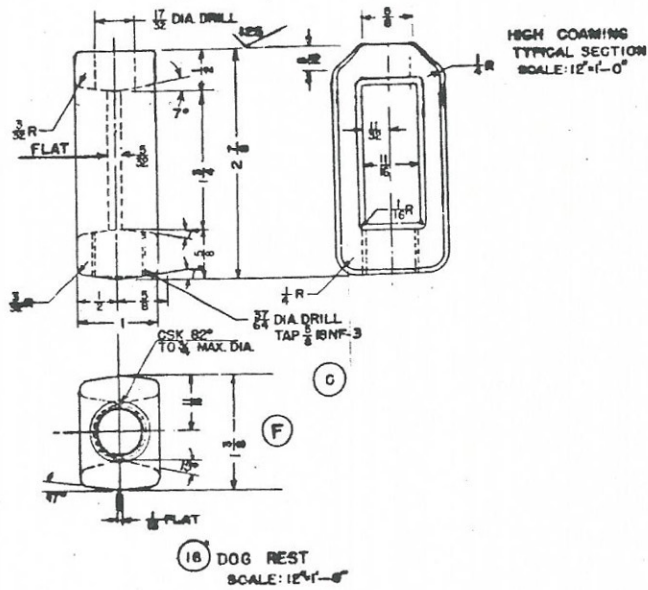
PART NO.	DESCRIPTION	APPLICATION	MATERIAL
DR-055	DOG REST	SCUTTLE, WTQA 18", 21", & 25" DIA. FLUSH 3 & 4 DOG	STL. A7 M.S. 1020 S.S. 303 OR 304

REF. DWG. #163055



PART NO.	DESCRIPTION	APPLICATION	MATERIAL
DR-944	DOG REST	SCUTTLE, WTQA 18", 21", & 25" DIA. RAISED-3 & 4 DOG	STL. A7 M.S. 1020 S.S. 303 OR 304

REF. DWG. #1623944

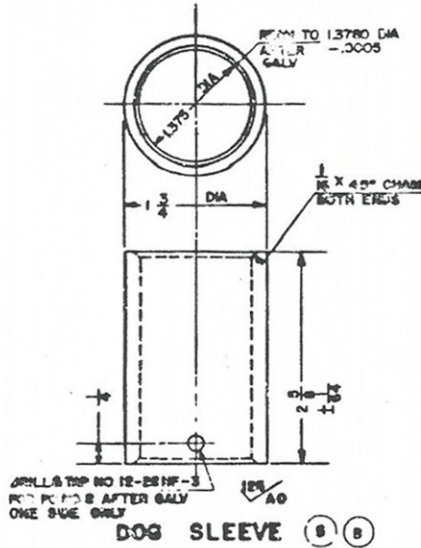




COLUMBIA FORGE & MACHINE WORKS, INC.

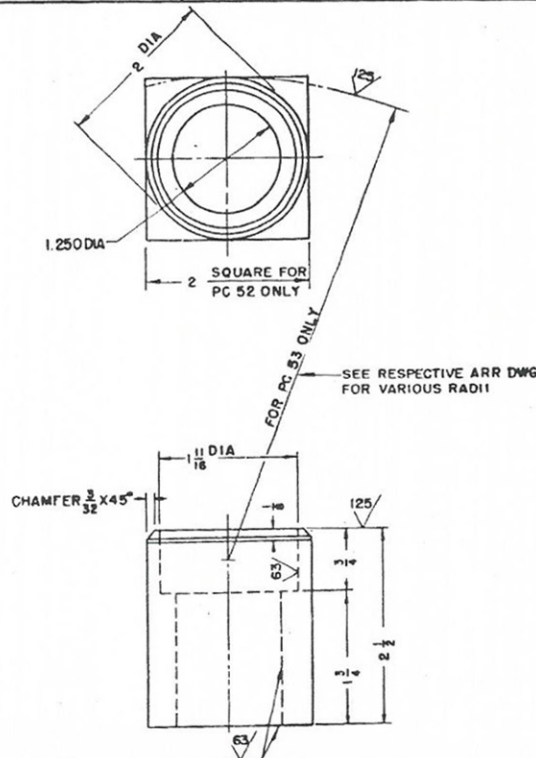
PART NO.	DESCRIPTION	APPLICATION	MATERIAL
DSL-067	DOG SLEEVE	DOORS W.T. INDIVIDUALLY DOGGED	STL. MECH. TUBING CL-.35 MAX M.S. 1020

REF. DWG. #1400067



PART NO.	DESCRIPTION	APPLICATION	MATERIAL
DSL-105-C	DOG SLEEVE (CURVED)	HATCH WT FLUSH INDIVIDUALLY DOGGED	M.S. 1020
DSL-105-S	DOG SLEEVE (SQUARE)	HATCH WT FLUSH INDIVIDUALLY DOGGED	M.S. 1020

REF. DWG. #1624105



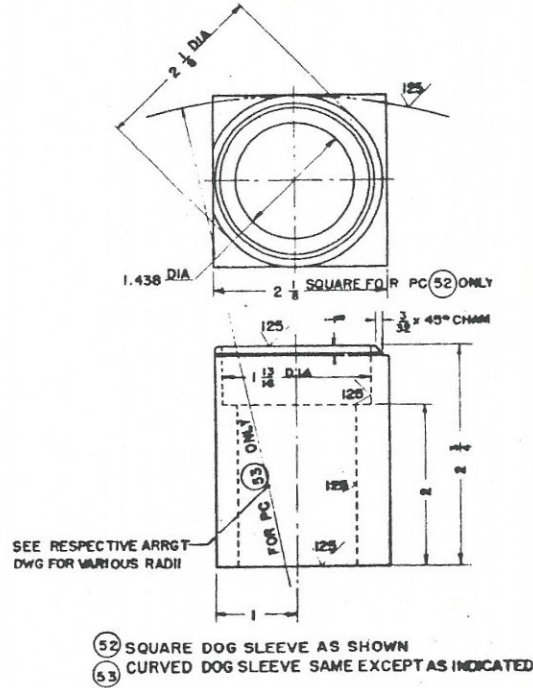
- (S2) SQUARE DOG SLEEVE AS DRAWN
- (S3) CURVED DOG SLEEVE SAME EXCEPT AS INDICATED



COLUMBIA FORGE & MACHINE WORKS, INC.

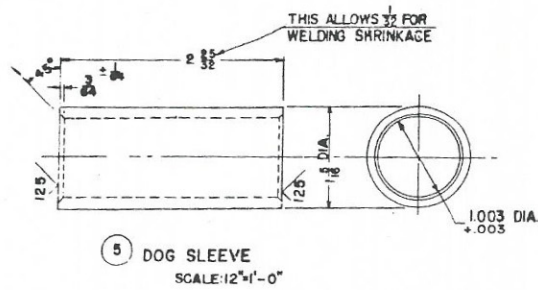
PART NO.	DESCRIPTION	APPLICATION	MATERIAL
DSL S-119	DOG SLEEVE (SQUARE)	HATCH WT FLUSH INDIVIDUALLY DOGGED	M.S. 1020
DSL C-119	DOG SLEEVE (CURVED)	HATCH WT FLUSH INDIVIDUALLY DOGGED	M.S. 1020

REF. DWG. #1624119



PART NO.	DESCRIPTION	APPLICATION	MATERIAL
DSL-944	DOG SLEEVE	SCUTTLE, WTQA 18", 21", & 25" DIA. RAISED-3 & 4 DOG	STL. MECH. TUBING C. - .35 MAX M.S. 1020

REF. DWG. #1623944

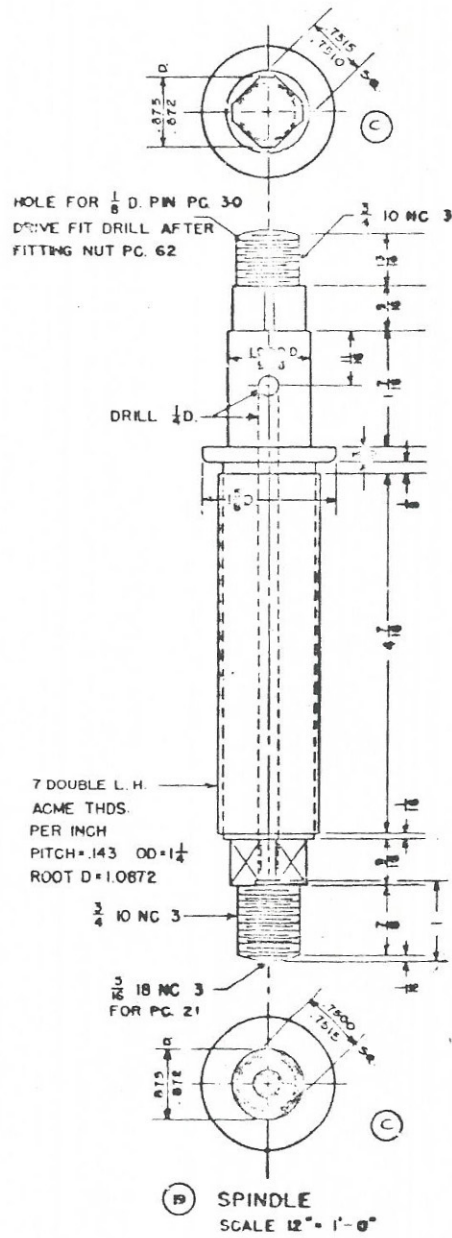




COLUMBIA FORGE & MACHINE WORKS, INC.

PART NO.	DESCRIPTION	APPLICATION	MATERIAL
SPN-022	SPINDLE	W.T., Q.A. HATCHES SPR. BAL.-24x30 ENG. & BOILER RM. DESTROYERS-DET'S	S.S. 303 M.S. 1020

REF. DWG. #1626022







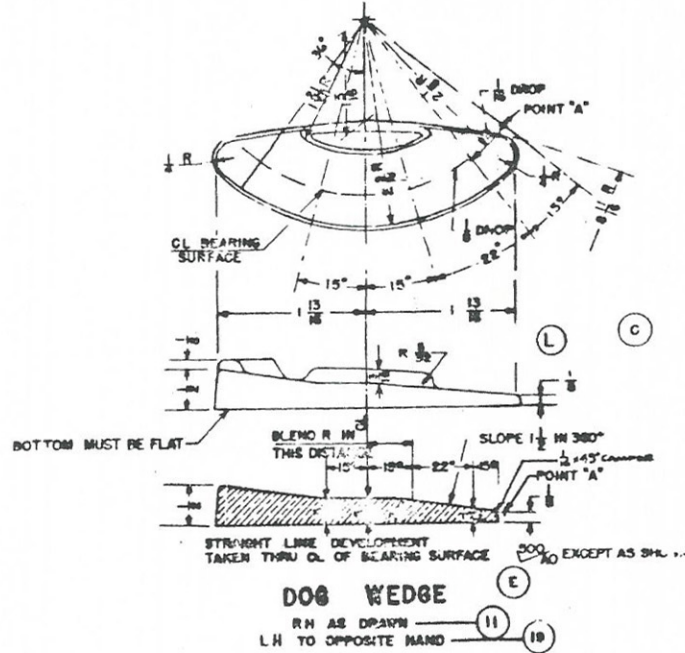




COLUMBIA FORGE & MACHINE WORKS, INC.

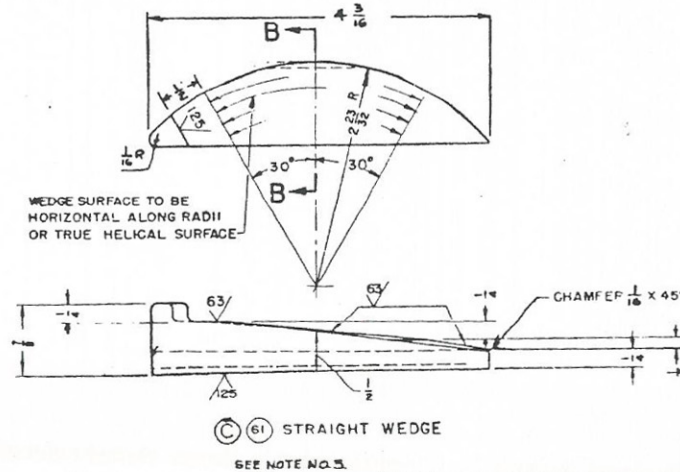
PART NO.	DESCRIPTION	APPLICATION	MATERIAL
DW-O67	DOG WEDGE	DOORS W.T. INDIVIDUALLY DOGGED	BRZ AL GRADE 1 OR 2 S.S. 303 304

REF. DWG. #1400067



PART NO.	DESCRIPTION	APPLICATION	MATERIAL
WS-105	WEDGE (STRAIGHT)	HATCH WT FLUSH INDIVIDUALLY DOGGED	BRZ OR S.S. 303 304

REF. DWG. #1624105

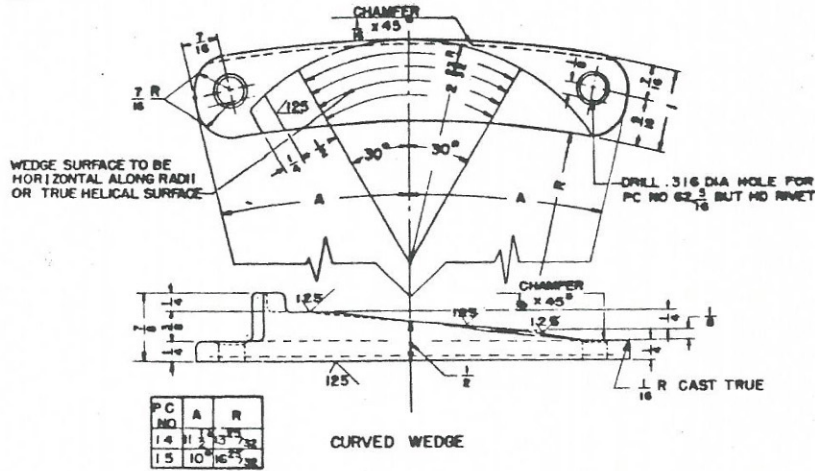




COLUMBIA FORGE & MACHINE WORKS, INC.

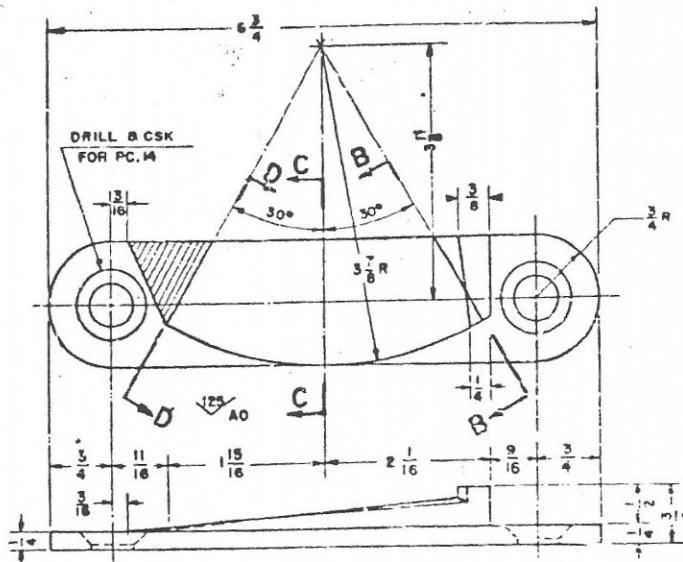
PART NO.	DESCRIPTION	APPLICATION	MATERIAL
WC-119	WEDGE (CURVED)	HATCH WT FLUSH INDIVIDUALLY DOGGED	BRZ S.S. 303 304

REF. DWG. #1624119



PART NO.	DESCRIPTION	APPLICATION	MATERIAL
DW-163	DOG WEDGE	DOORS W.T. (30 LB. STS) INDIVIDUALLY DOGGED	BRONZE AL MANGANESE CLZ S.S. 303 OR 304

REF. DWG. #1630163



DOG WEDGE - "ON"

- (12) LH-AS SHOWN
- (13) RH-TO OPPOSITE HAND

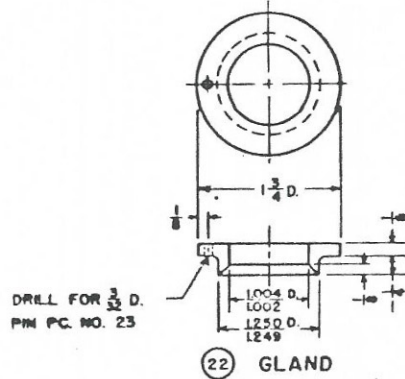
SCALE 12" = 1"



COLUMBIA FORGE & MACHINE WORKS, INC.

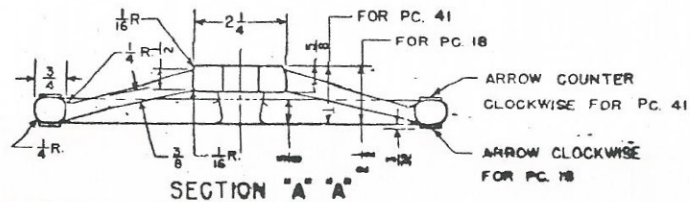
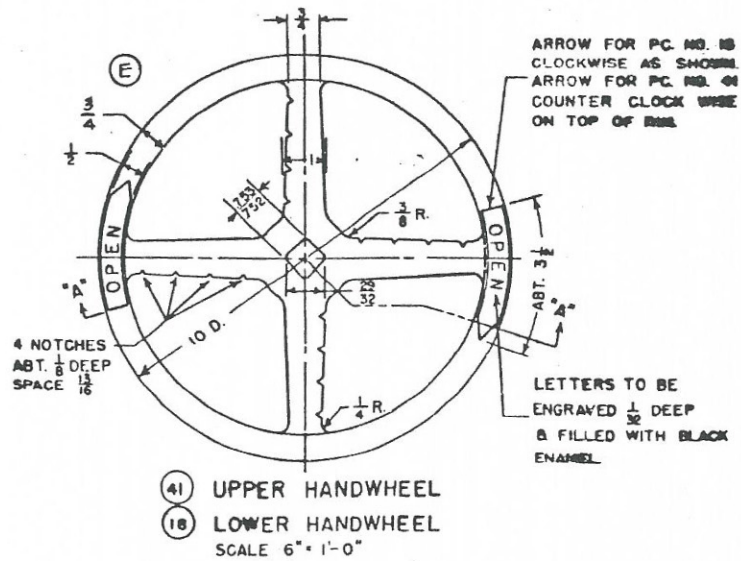
PART NO.	DESCRIPTION	APPLICATION	MATERIAL
G-022	GLAND	W.T., Q.A. HATCHES SPR. BAL.-24X30 ENG. & BOILER RM. DESTROYERS-DET'S	

REF. DWG. #1626022



PART NO.	DESCRIPTION	APPLICATION	MATERIAL
HW-022	HANDWHEEL	W.T., Q.A. HATCHES SPR. BAL.-24X30 ENG. & BOILER RM. DESTROYERS-DET'S.	BRASS S.S. 303 OR 304

REF. DWG. #1626022

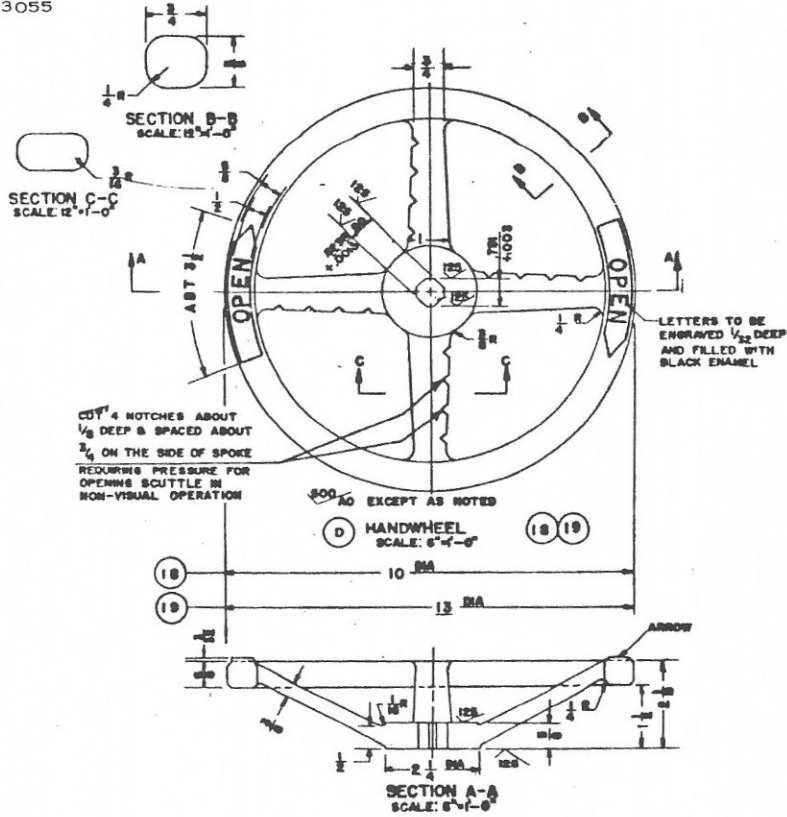




COLUMBIA FORGE & MACHINE WORKS, INC.

PART NO.	DESCRIPTION	APPLICATION	MATERIAL
HW-055	HANDWHEEL	SCUTTLE, WTQA 18", 21", & 25" DIA. FLUSH 3 & 4 DOG	BRASS (NAVAL) S.S. 303 OR 304

REF. DWG. #1623055

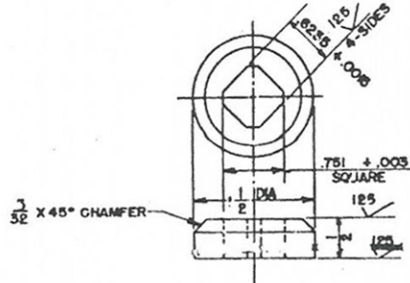




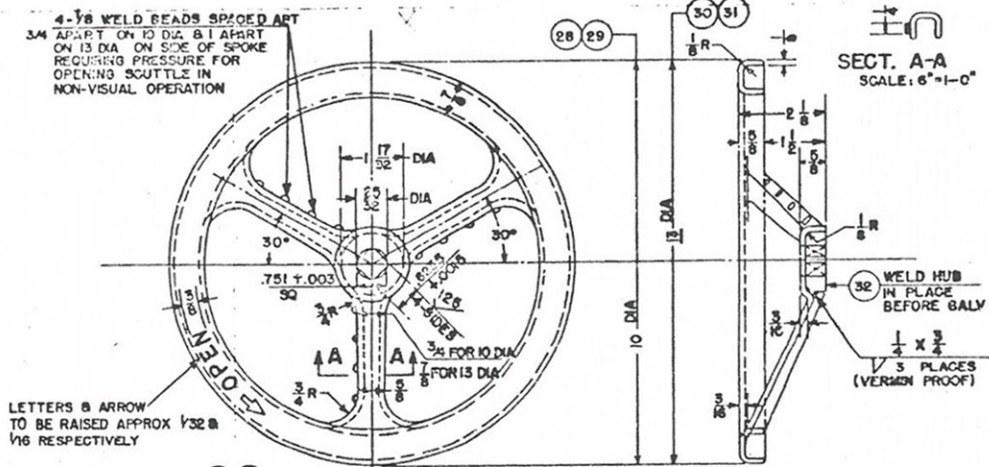
COLUMBIA FORGE & MACHINE WORKS, INC.

PART NO.	DESCRIPTION	APPLICATION	MATERIAL
HH-943	HUB HANDWHEEL	SCUTTLE, WTQA 18", 21", & 25" DIA RAISED - 3 & 4 DOG	STL. A7 O.H. BRASS

REF. DWG. #1623943



32 HUB-HANDWHEEL
SCALE: 12"=1'-0"



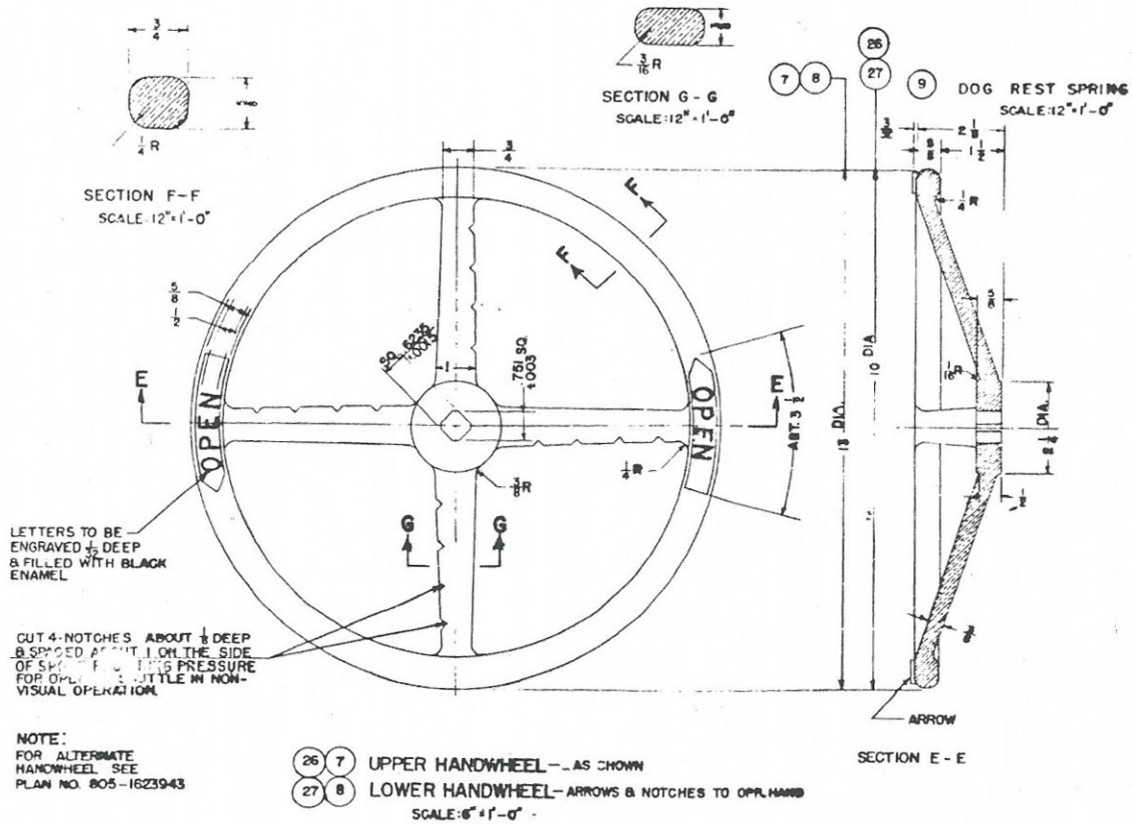
- 26 30 ALTERNATE UPPER HANDWHEEL- AS SHOWN
- 29 31 ALTERNATE LOWER HANDWHEEL ARROW & WELD BEADS TO OPP HAND





COLUMBIA FORGE & MACHINE WORKS, INC.

PART NO.	DESCRIPTION	APPLICATION	MATERIAL
HW-944	HANDWHEEL	SCUTTLE, WTQA 18", 21", & 25" DIA. RAISED-3 & 4 DOG	BRASS CASTING (NAVAL)

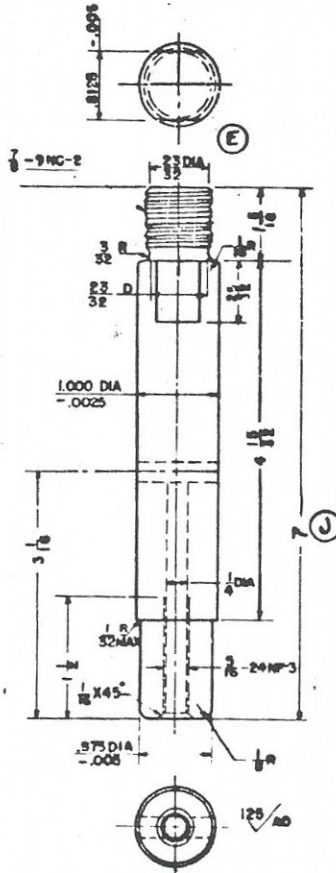




COLUMBIA FORGE & MACHINE WORKS, INC.

PART NO.	DESCRIPTION	APPLICATION	MATERIAL
HS-053	HAND LEVER SHAFT	DOORS W.T.Q.A. (OPERATING MECH. IN FRAME) MEDIUM STEEL & CRES	S.S. 303 OR 304 M.S. 1020

REF. DWG. #1400053



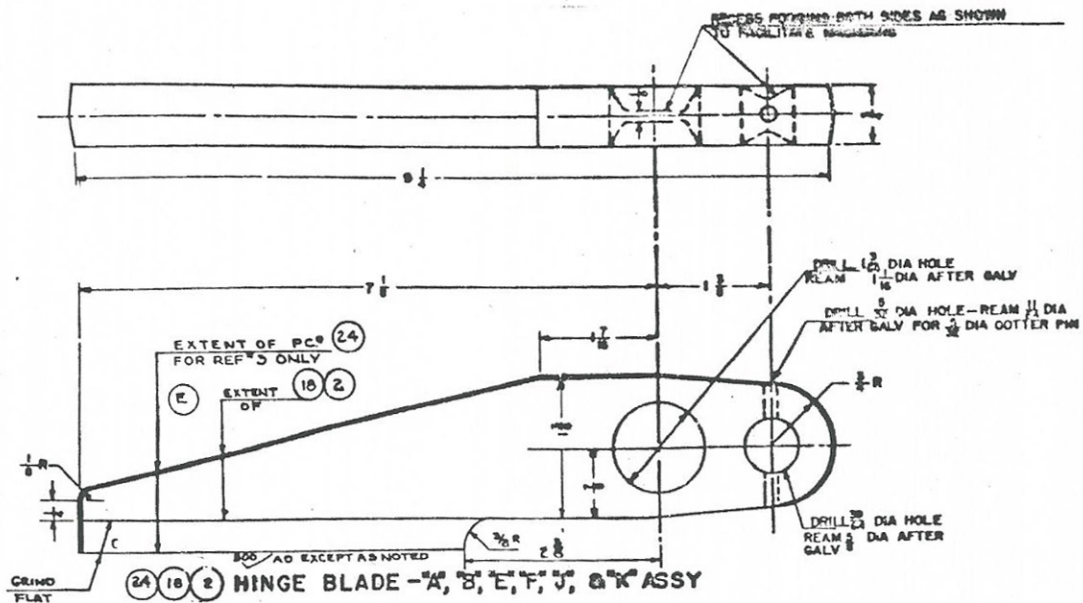
HAND LEVER SHAFT (3)
SCALE: 12" = 1'-0"



COLUMBIA FORGE & MACHINE WORKS, INC.

PART NO.	DESCRIPTION	APPLICATION	MATERIAL
HB-054A	HINGE BLADE - "A", "B", "E", "F", "J", & "K" ASSY	DOORS WTQA, WT, AT, & MT) MEDIUM STEEL & CRES) HINGE	STEEL A7 OM S.S. 303 OR 304 M.S. 1020 ALUMINUM

REF. DWG. #1400054





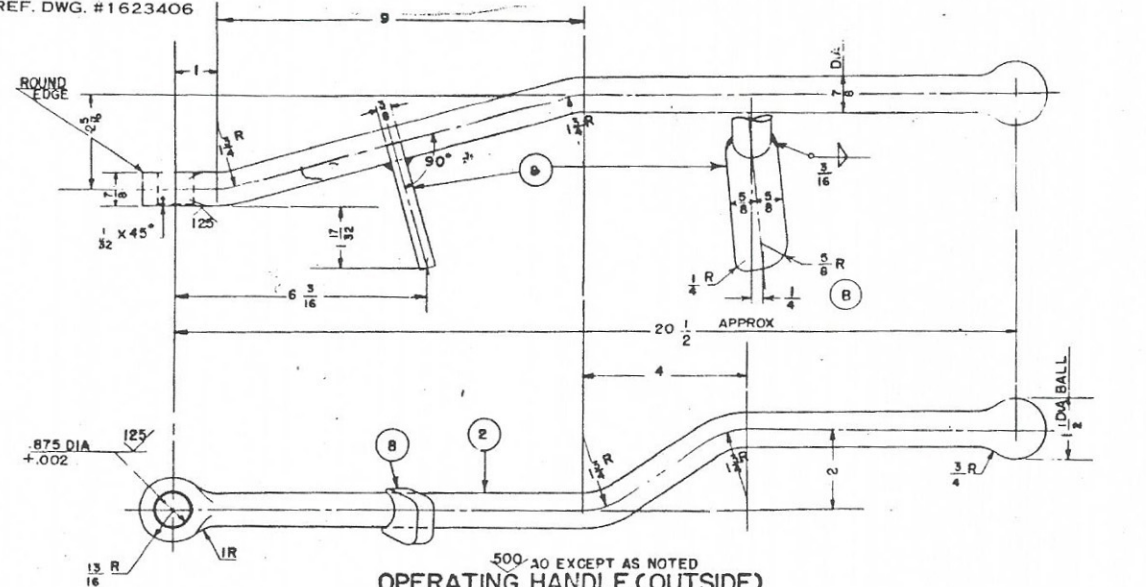




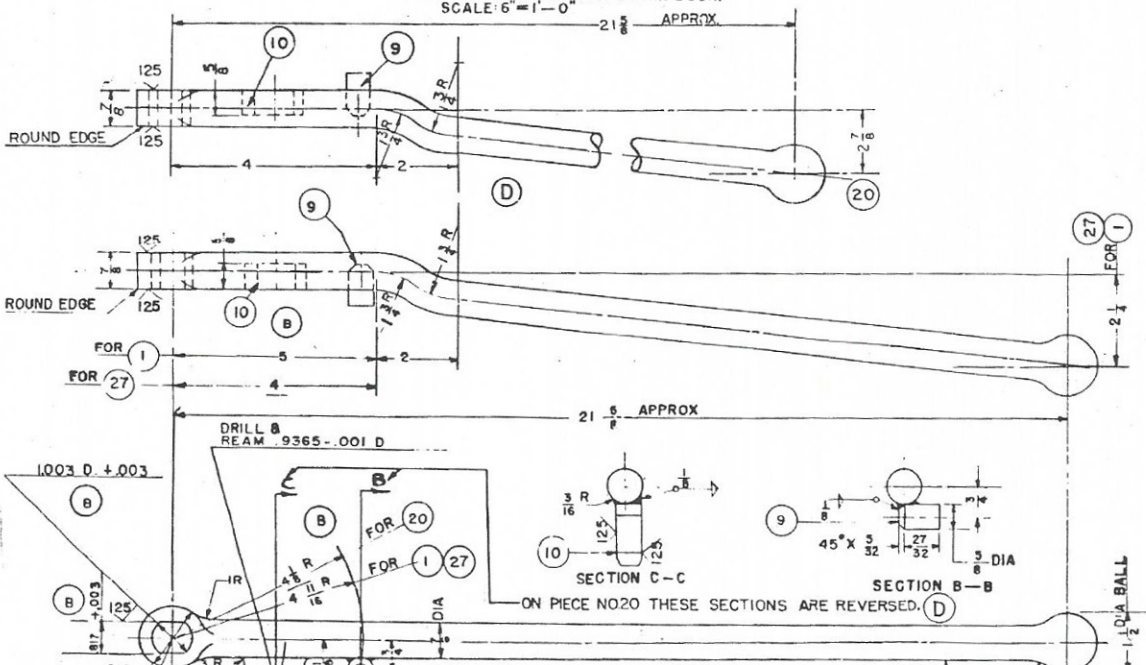
COLUMBIA FORGE & MACHINE WORKS, INC.

PART NO.	DESCRIPTION	APPLICATION	MATERIAL
OO-406	OPERATING HANDLE (OUTSIDE)	DOORS W.T.Q.A. (OPERATING MECH IN FRAME) MEDIUM STEEL	FORGED STEEL S.S. 303 OR 304
OI-406	OPERATING HANDLE (INSIDE)	DOORS W.T.Q.A. (OPERATING MECH IN FRAME) MEDIUM STEEL	FORGED STEEL S.S. 303 OR 304

REF. DWG. #1623406



500 AO EXCEPT AS NOTED
OPERATING HANDLE (OUTSIDE)
 L.H. AS DRAWN (FOR L.H. DOOR)
 R.H. TO OPPOSITE HAND (FOR R.H. DOOR)
 SCALE: 6" = 1'-0"



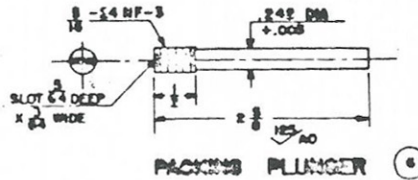
500 AO EXCEPT AS NOTED
OPERATING HANDLE (INSIDE)
 L.H. AS DRAWN (FOR L.H. DOOR)
 R.H. TO OPPOSITE HAND (FOR R.H. DOOR)
 SCALE: 6" = 1'-0"



COLUMBIA FORGE & MACHINE WORKS, INC.

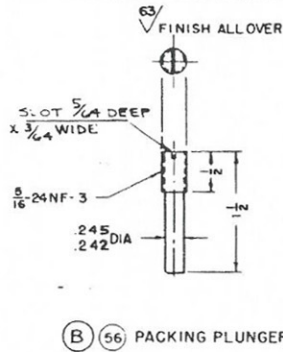
PART NO.	DESCRIPTION	APPLICATION	MATERIAL
PP-O67	PACKING PLUNGER	DOORS W.T. INDIVIDUALLY DOGGED	S.S. 303 OR 304 M.S. 1020 BRZ

REF. DWG. #1400067



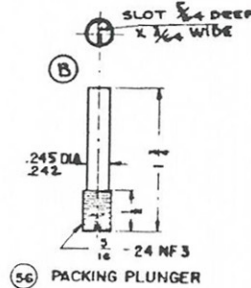
PART NO.	DESCRIPTION	APPLICATION	MATERIAL
PP-105	PACKING PLUNGER	HATCH WT FLUSH INDIVIDUALLY DOGGED	S.S. 303 OR 304 M.S. 1020 BRZ

REF. DWG. #162410



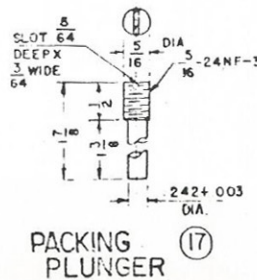
PART NO.	DESCRIPTION	APPLICATION	MATERIAL
PP-119	PACKING PLUNGER	HATCH WT FLUSH INDIVIDUALLY DOGGED	S.S. 303 OR 304 M.S. 1020 BRZ

REF. DWG. #1624119



PART NO.	DESCRIPTION	APPLICATION	MATERIAL
PP-163	PACKING PLUNGER	DOORS W.T. (30 LB. STS) INDIVIDUALLY DOGGED	S.S. 303 OR 304 M.S. 1020 BRZ

REF. DWG. #1630163

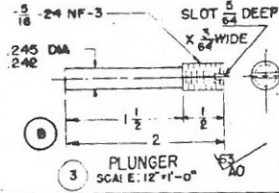




COLUMBIA FORGE & MACHINE WORKS, INC.

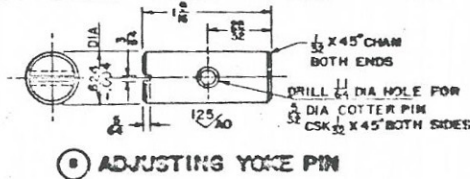
PART NO.	DESCRIPTION	APPLICATION	MATERIAL
PL-944	PLUNGER	SCUTTLE, WTQA 18", 21" & 25" DIA. RAISED - 3 & 4 DOG	M.S. 1020 S.S. 303 BRZ

REF. DWG. #1623944



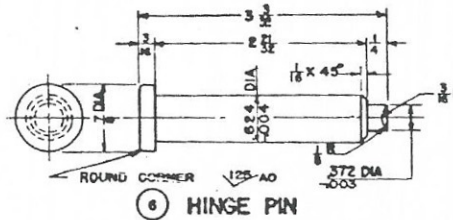
PART NO.	DESCRIPTION	APPLICATION	MATERIAL
P-O54	PIN, ADJUSTING YOKE	DOORS WTQA, WT, AT, & MT (MEDIUM STEEL & CRES) HINGE	NAVAL BRASS S.S. 303 M.S. 1020

REF. DWG. #1400054



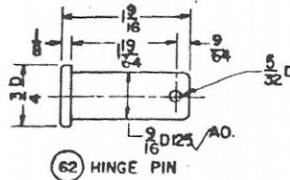
PART NO.	DESCRIPTION	APPLICATION	MATERIAL
HP-O54	HINGE PIN	DOORS WTQA, WT, AT, & MT	S.S. 303; M.S. 1020

REF. DWG. #1400054



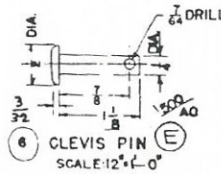
PART NO.	DESCRIPTION	APPLICATION	MATERIAL
HP-071	HINGE PIN	HATCH W.T. RAISED	S.S. 303 M.S. 1020

REF. DWG. #1624071



PART NO.	DESCRIPTION	APPLICATION	MATERIAL
CP-944	CLEVIS PIN	SCUTTLE, WTQA 18", 21" & 25" DIA. RAISED 3 & 4 DOG	S.S. 303 M.S. 1020

REF. DWG. #1623944

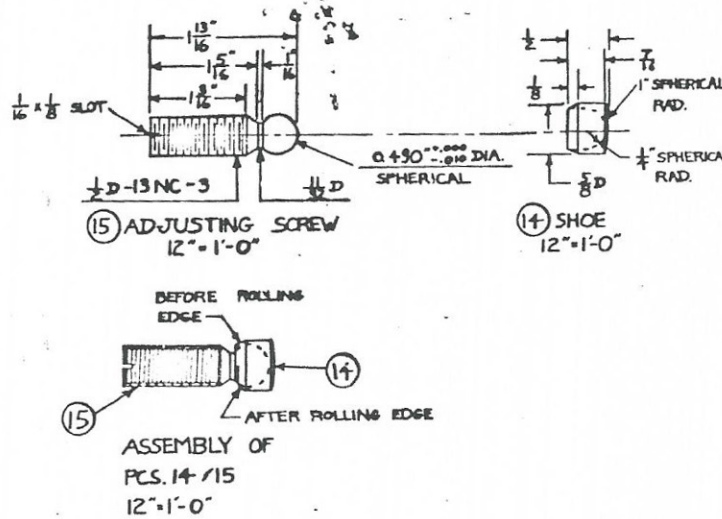




COLUMBIA FORGE & MACHINE WORKS, INC.

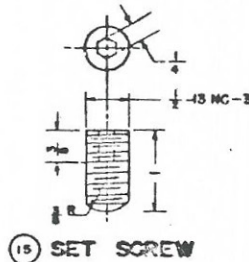
PART NO.	DESCRIPTION	APPLICATION	MATERIAL
AS-O23	ADJUSTING SCREW	W.T., Q.A. HATCHES SPR. BAL. - 24x30 ENG. & BOILER RM. DESTROYERS - DET'S.	S.S. 303 M.S. 1020 BRASS

REF. DWG. #1626023



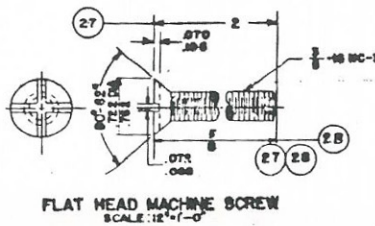
PART NO.	DESCRIPTION	APPLICATION	MATERIAL
SS-O54	SET SCREW	DOORS WTQA, WT, AT, & MT (MEDIUM STEEL & CRES) HINGE.	S.S. 303 OR 304 M.S. 1020

REF. DWG. #1400054



PART NO.	DESCRIPTION	APPLICATION	MATERIAL
MS-O55	MACHINE SCREW (FLAT HEAD)	SCUTTLE, WTQA 18", 21", & 25" DIA. FLUSH 3 & 4 DOG	BRONZE S.S. 303 M.S. 1020

REF. DWG. #1400055

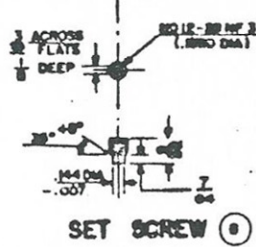




COLUMBIA FORGE & MACHINE WORKS, INC.

PART NO.	DESCRIPTION	APPLICATION	MATERIAL
SS-067	SET SCREW	DOORS W.T. INDIVIDUALLY DOGGED	S.S. 303 M.S. 1020 BRASS

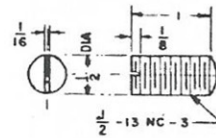
REF. DWG. #1400067



SET SCREW (I)

PART NO.	DESCRIPTION	APPLICATION	MATERIAL
SS-163	SET SCREW	DOORS W.T. (30 LB. STS) INDIVIDUALLY DOGGED	BRASS S.S. 303 M.S. 1020

REF. DWG. #1630163

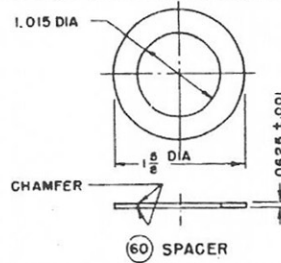


SET SCREW (II)

SCALE: 12"=1'-0"

PART NO.	DESCRIPTION	APPLICATION	MATERIAL
SPC-105	SPACER	HATCH WT FLUSH INDIVIDUALLY DOGGED	S.S. 303 M.S. 1020 BRASS

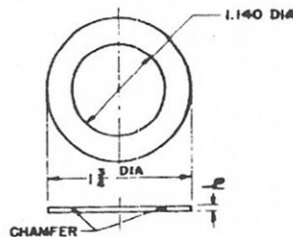
REF. DWG. #1624105



(60) SPACER

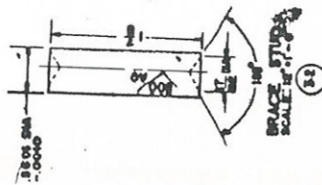
PART NO.	DESCRIPTION	APPLICATION	MATERIAL
SPC-119	SPACER	HATCH WT FLUSH INDIVIDUALLY DOGGED	S.S. 303 M.S. 1020 BRASS

(69) SPACER



PART NO.	DESCRIPTION	APPLICATION	MATERIAL
SB-055	STUD, BRACE	SCUTTLE, WTQA 18", 21" & 25" DIA. FLUSH 3 & 4 DOG	S.S. 303 M.S. 1020

REF. DWG. #163055

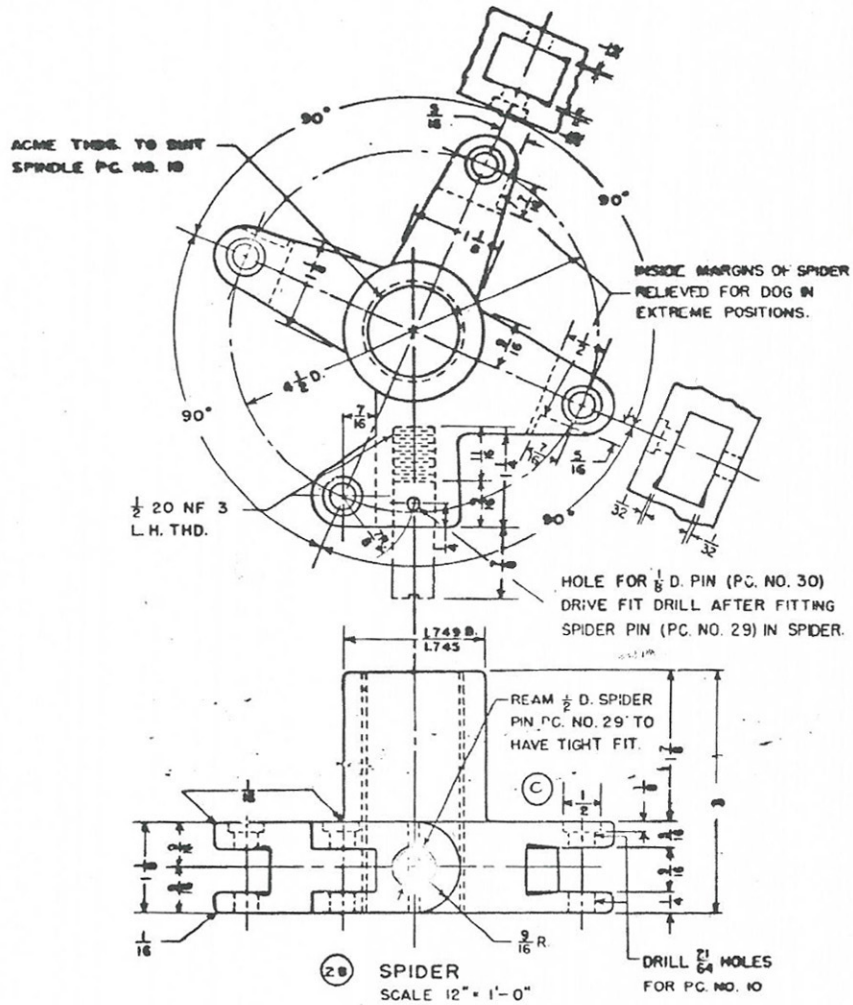




COLUMBIA FORGE & MACHINE WORKS, INC.

PART NO.	DESCRIPTION	APPLICATION	MATERIAL
SPI-022	SPIDER	W.T., Q.A. HATCHES SPR. BAL.-24x30 ENG. & BOILER RM. DESTROYERS-DET'S.	MANG. BRZ.

REF. DWG. #1626022

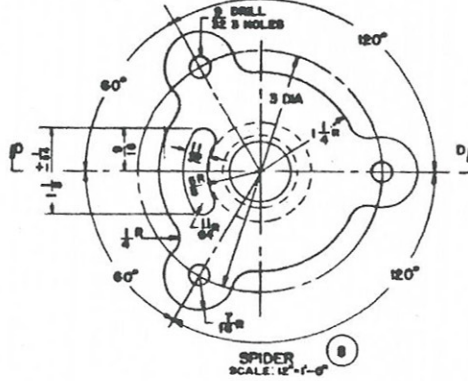




COLUMBIA FORGE & MACHINE WORKS, INC.

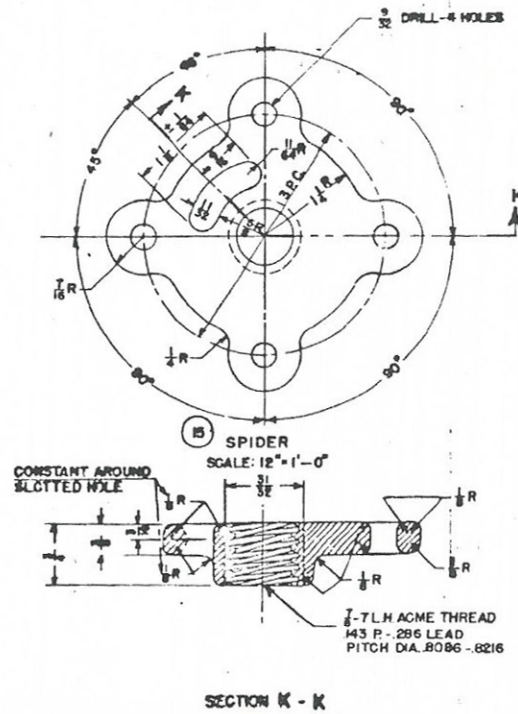
PART NO.	DESCRIPTION	APPLICATION	MATERIAL
SPI-055	SPIDER	SCUTTLE, WTQA 18", 21", & 25" DIA. FLUSH 3 & 4 DOG	MANG. BRZ.

REF. DWG. #1400055



PART NO.	DESCRIPTION	APPLICATION	MATERIAL
SPI-944 A	SPIDER	SCUTTLE, WTQA 18", 21", & 25" DIA. RAISED-3 & 4 DOG	MANG. BRZ.

REF. DWG. #1623944

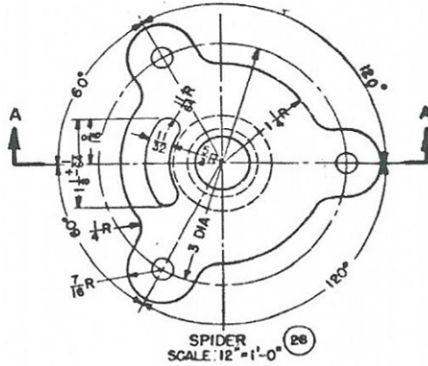




COLUMBIA FORGE & MACHINE WORKS, INC.

PART NO.	DESCRIPTION	APPLICATION	MATERIAL
SPI-944-B	SPIDER (FOUR HOLE)	SCUTTLE, WTQA 18", 21", & 25" DIA. RAISED-3 & 4 DOG	MANG. BRONZE

REF. DWG. #1623944





HINGE LEVER



DOG GEAR



90 DEGREE DOG



135 DEGREE DOG



HAND LEVER



DROP BOLT